

HI 6050 HI 6051 HI 6052

SUBMERSIBLE ELECTRODE HOLDERS

Dear Customer,

Thank you for choosing a Hanna product. This sheet will provide you with the necessary information for a correct operation. Please read it carefully before using the holder. If you need additional technical information, do not hesitate to e-mail us at tech@hannainst.com.

Examine carefully the holder and if any damage has occurred during shipment, immediately notify your Dealer or the nearest Hanna Customer Service Center.

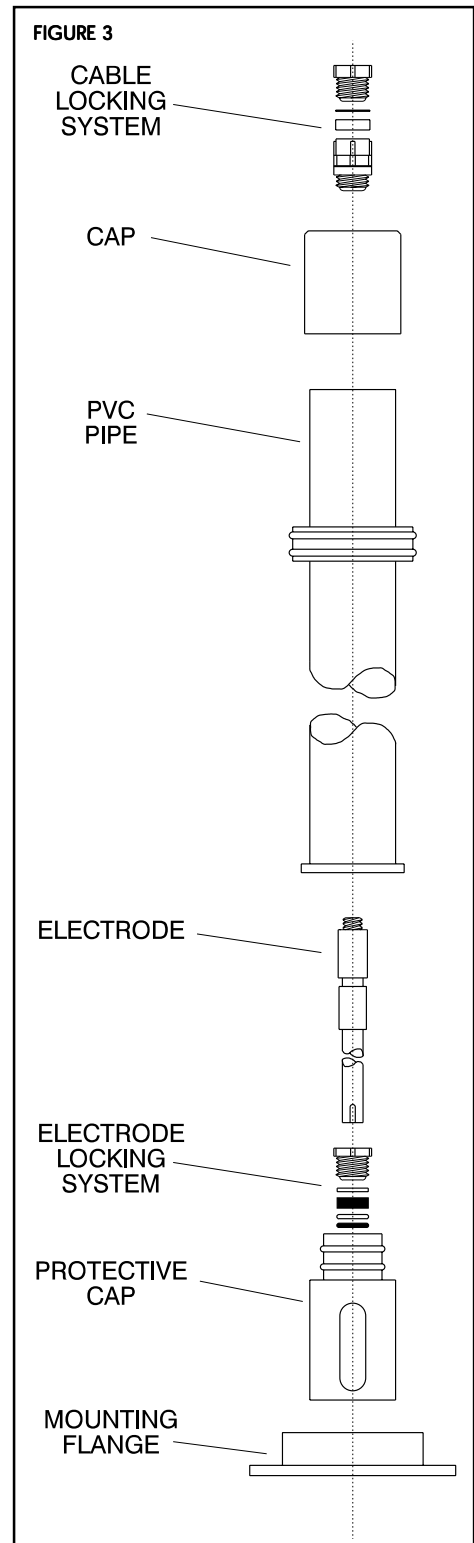
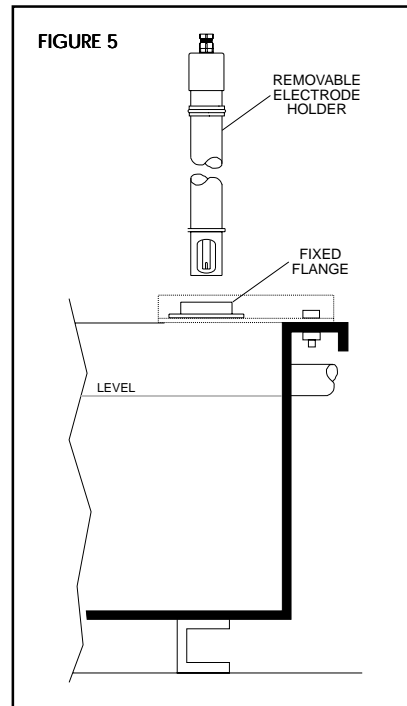
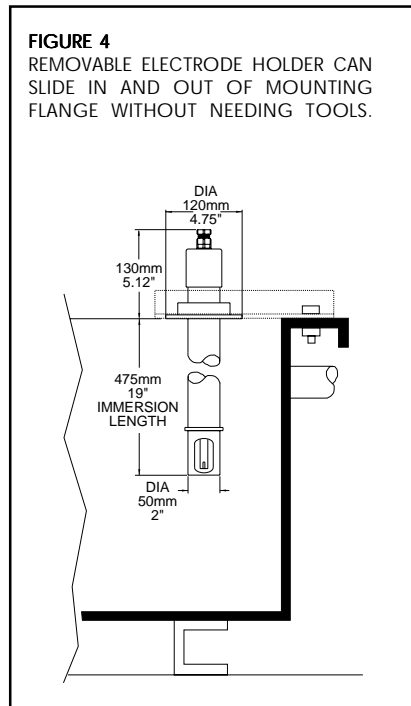
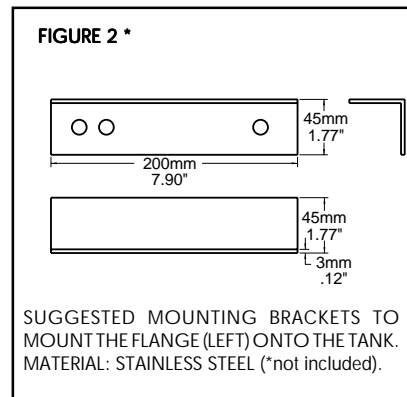
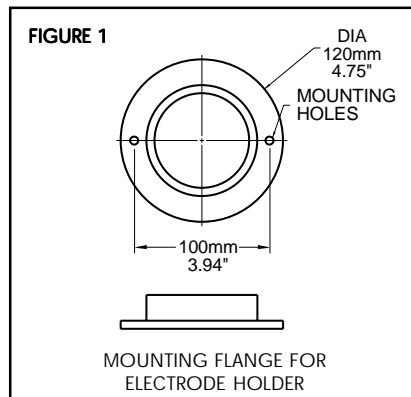
The Hanna submersible electrode holders are available in three models:

	HI 6050	HI 6051	HI 6052
TOTAL LENGTH	605 mm (23.8")	1105 mm (43.5")	1735 mm (68.3")
SUBMERSION LENGTH	475 mm (18.7")	975 mm (38.4")	1605 mm (73.4")
WEIGHT	0.8 kg (26 oz.)	1.2 kg (44 oz.)	1.7 kg (54 oz.)

The mounting flange (FIGURE 1) is a rugged PVC piece that mounts directly to the stainless steel bracket on your tank.

FIGURE 2 illustrates the suggested bracket dimensions used for mounting. Once mounted, the electrode holder becomes a protective housing that will extend the life of your pH and ORP electrodes.

The electrode should be slid into the holder (FIGURE 3) and hand tightened. The cable from the electrode will lead up through the holder and out through the cap on top. The cable is also shielded inside the holder to prevent any damage to the insulation. The protective cap is removable to allow for quick and simple electrode maintenance and replacement (FIGURE 4 and 5).



HANNA
instruments

Made in Italy <http://www.hannainst.com>